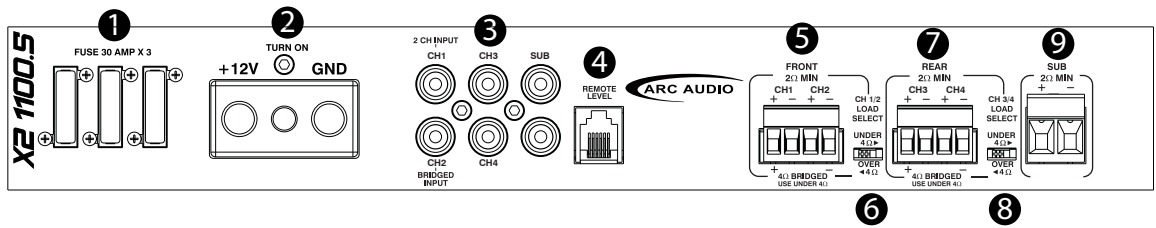


# X2 1100.5 Connection Reference Diagram

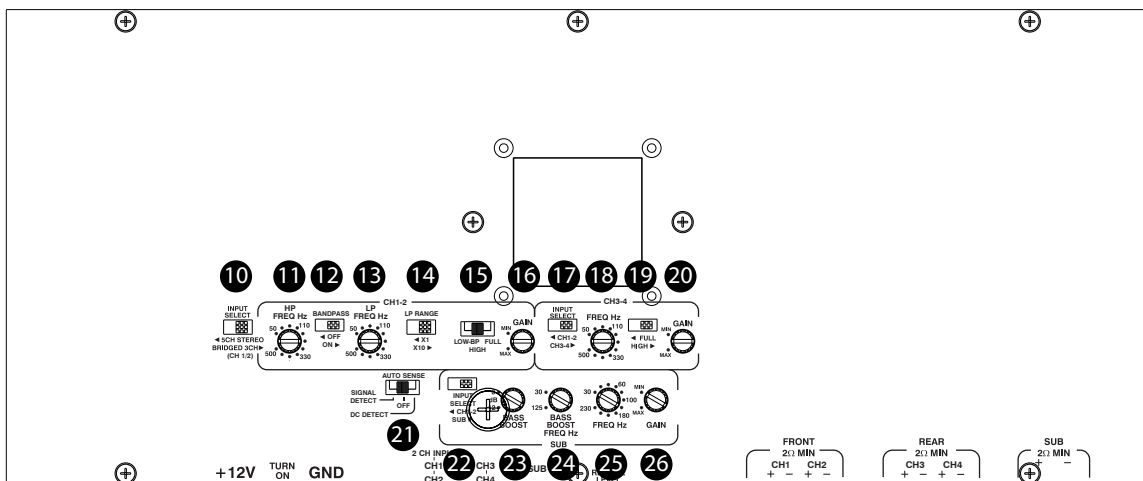
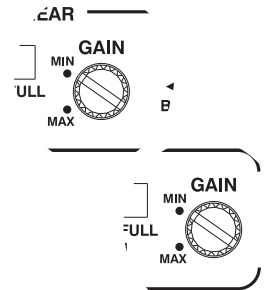


- 1 **FUSES** - The X2 1200.6 amplifier uses Three (3) 30 Amp ATC Blade style fuses and is included with the amplifier. Please do not replace with any other value or type of fuse.
- 2 **Main Power Connection Terminal-**  
 "+12V" – Main amplifier power connection. Connect this lead to the positive side of your vehicles battery using 4AWG OFC power cable. (Always remember to install a fuse within 18" of your vehicles battery with a properly rated fuse).  
 "Turn On" – Connect your source unit or Digital Sound Processors "Remote Out" wire to this location to turn on your amplifier via a hardwired trigger lead..  
 "GND" – Connect your amplifier with this terminal to the vehicles ground. The ground wire should be connected directly to the chassis of your vehicle via a 4 Gauge OFC ground cable. Find a clear location close to the amplifier and remove all paint and/or sound deadening. Use a #10 or larger screw to secure it. Never use a seat or seat belt bolt for grounding.
- 3 **RCA Signal Input Connections** - CH1 – CH6 RCA Signal input connectors. Each channel input is capable of receiving Balanced and Unbalanced signal into the amplifiers For OEM Speaker level input please use the RCA pigtailed provided with this amplifier as they include a 3:1 divider network built into them in order to allow for proper connection to an OEM system.
- 4 **Remote Level Control Port** - Connection point for the X2 amplifiers remote level bass control
- 5 **CH1 & CH2 Speaker connection**
- 6 **CH1 & CH2 Speaker load selection switch**
- 7 **CH3 & CH4 Speaker output connection**
- 8 **CH3 & CH4 Speaker load selection switch**
- 9 **CH5(Sub) Speaker output connection**
- 10 **put Source Select Switch (Ch 1/2) (5CH Stereo or 3CH Bridged)**
- 11 **Ch 1/2 Highpass Crossover Frequency Selection Control**
- 12 **Ch 1/2 Bandpass Crossover Selection Switch**
- 13 **Ch 1/2 Lowpass Crossover Frequency Selection Control**
- 14 **Ch 1/2 Lowpass Range Selection Switch (50Hz-500Hz / x10 500Hz - 5000Hz)**
- 15 **Ch 1/2 Crossover Type Selection Switch**
- 16 **Ch 1/2 Signal Input Sensitivity Control (Gain)**
- 17 **Ch 3/4 Input Source Selection Switch**

## Gain

Because of the wide range of head unit output configurations all ARC Audio amplifiers have an adjustable input sensitivity or "Gain". The gain is not a volume or a power limiting control like a throttle. It makes the amp more sensitive to input from the stereo. With the gain up the amp will reach full output at a lower volume setting on the deck. At higher gain settings the amp also becomes more sensitive to noise from the car's electrical system. Try to run the gain at the lowest setting possible for you system.

There is no correct gain setting. Because speakers require different power demands to reach the same output, the gains most often need to be used to compensate for these differences. If you tried to set all the gains at half way you would probably find the system didn't sound very good. Using good judgment and listening carefully to each speaker is still the best way to tune a system.



- 17 Ch 3/4 Input Source Selection Switch
- 18 CH3/4 Highpass crossover frequency selection control
- 19 CH3/4 Crossover type selection switch (Full Range / High Pass)
- 20 CH3/4 Signal input sensitivity control (Gain)
- 21 Auto-Sense signal detect Turn-On switch (Signal Detect / DC Detect)
- 22 CH5(Sub) Input signal source select switch
- 23 CH5(Sub) Bass boost level adjustment
- 24 CH5(Sub) Bass boost frequency selection
- 25 CH5(Sub) Lowpass crossover range switch (50Hz-500Hz / 500Hz x 5kHz)
- 26 CH1/2 Signal input sensitivity control (Gain)

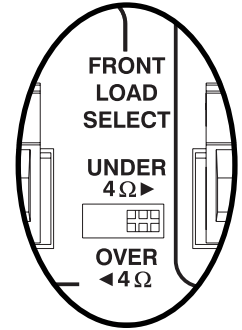
Under 4Ω

Any speaker or combination of speakers with a total combined Ohm load between 2 and 4 Ohms (not lower than 2 Ohms) must use this position. Bridged loads down to 4 Ohms must use this position. The amplifier will make full power at 2 Ohms Stereo (4 Ohms bridged). Note: you can use any Ohm load above 2 Ohms in this position, however power output will drop as the impedance increases.

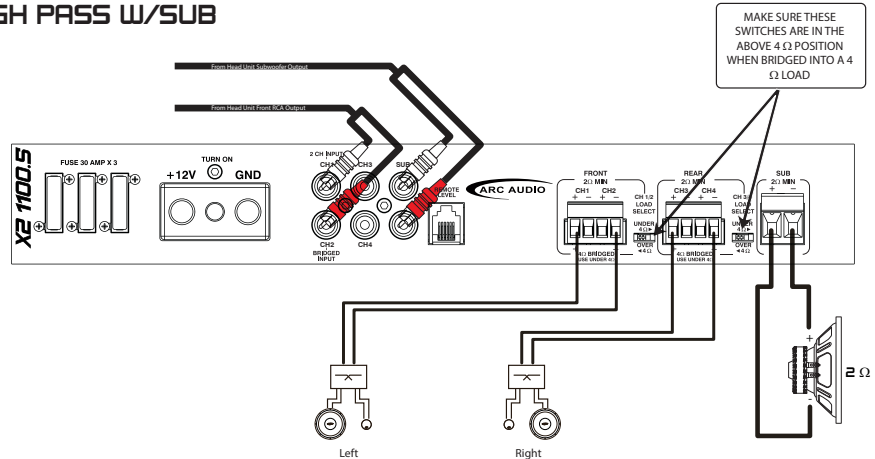
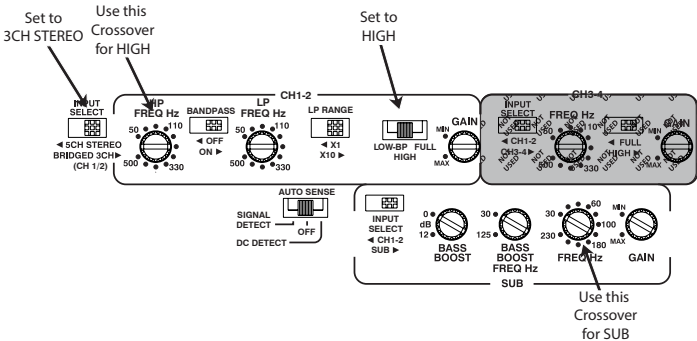
Over 4Ω

Any speaker or combination of speakers with a total combined Ohm load over 4 Ohms can use this position. The amplifier will make full power at 4 Ohms stereo (8 Ohms bridged).

WARNING: This amplifier will not operate and could be damaged if used in the wrong configuration. At no time can it be operated below 2 Ohms stereo or 4 Ohms bridged.



### 3 CHANNEL STEREO 2 CHANNEL HIGH PASS W/SUB



6

### 5 CHANNEL STEREO 4 CHANNEL HIGH PASS W/SUB

